

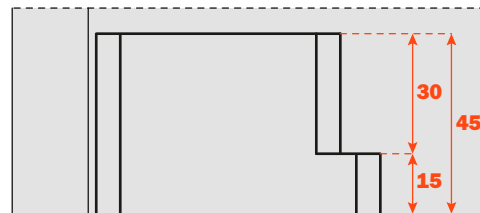
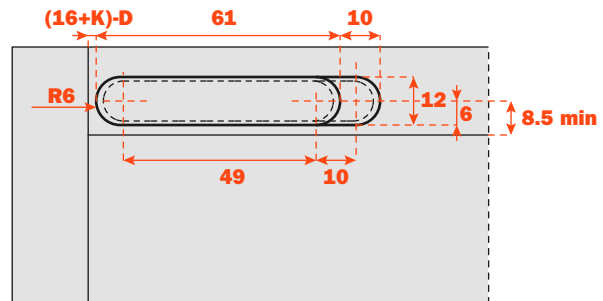
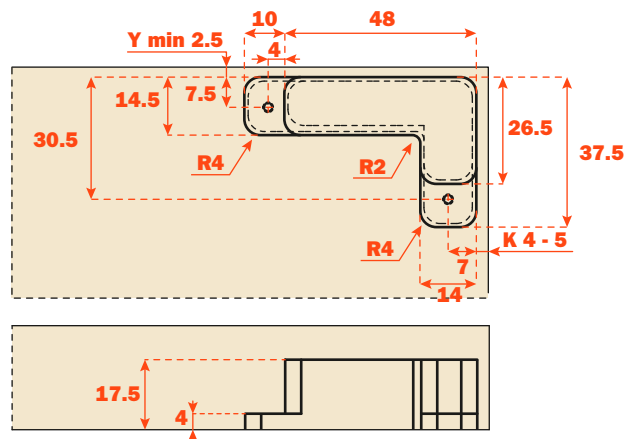
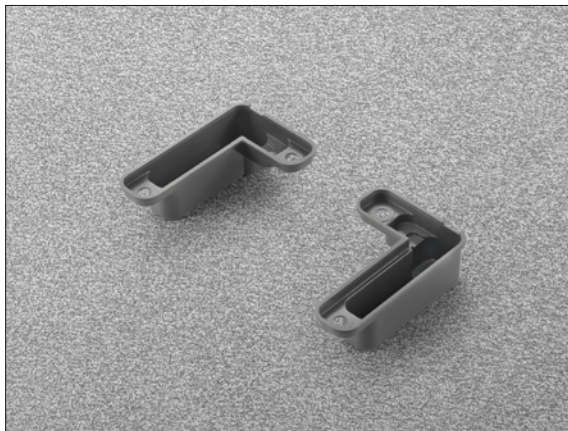
Sleeves assembly on wood doors

Air can be equipped with sleeves for the hinge cup and arm. The sleeves are inserted respectively into the door and the cabinet and make the insertion of the hinge easier as well as hiding any surface imperfections caused by the machining of the cabinet.

The sleeve for the arm, which is inserted into the panel, provides additional support for Air when used in thinner materials. We recommend the use of a low-expansion, single-component polyurethane adhesive, suitable for bonding wood to metal.

Moreover, to supplement the adhesive bond, it is possible to insert two 3.5x20 screws (not supplied) through the bottom of the holder.

The sleeves are available in two colors, matching hinges with nickel-plated and titanium finish.

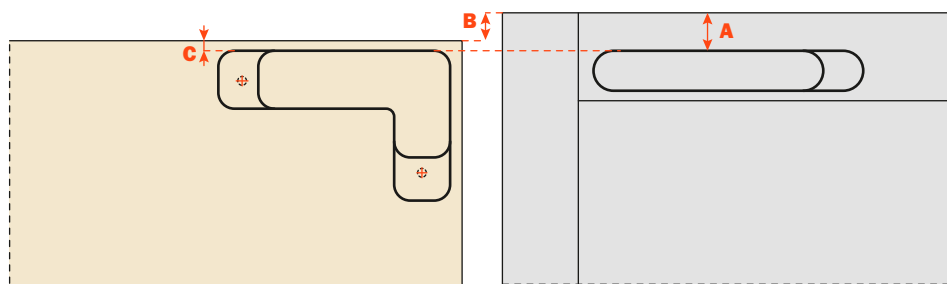


Formulas to determine the distance for the insertion of the sleeves for arm.

$$A = B + C$$

$$B = A - C$$

$$C = A - B$$

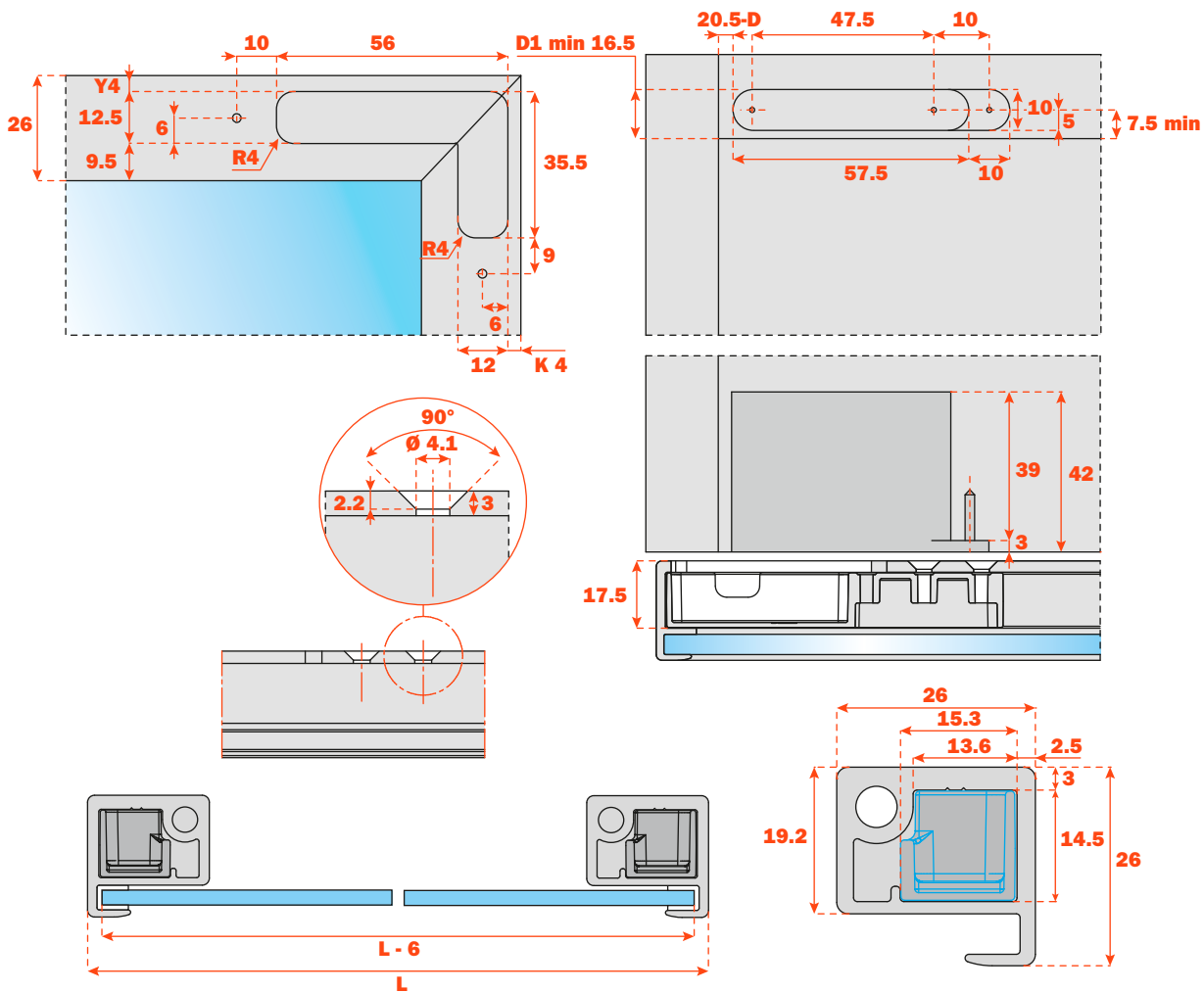


Air - Sleeves assembly on aluminum-framed doors

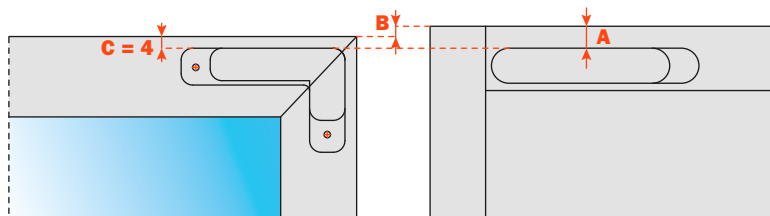


Assembly on the aluminum frame DEL6LP300_.

Dimensions of the frame 26x26 mm.



Formulas to determine the distance for the insertion of the sleeves for arm.



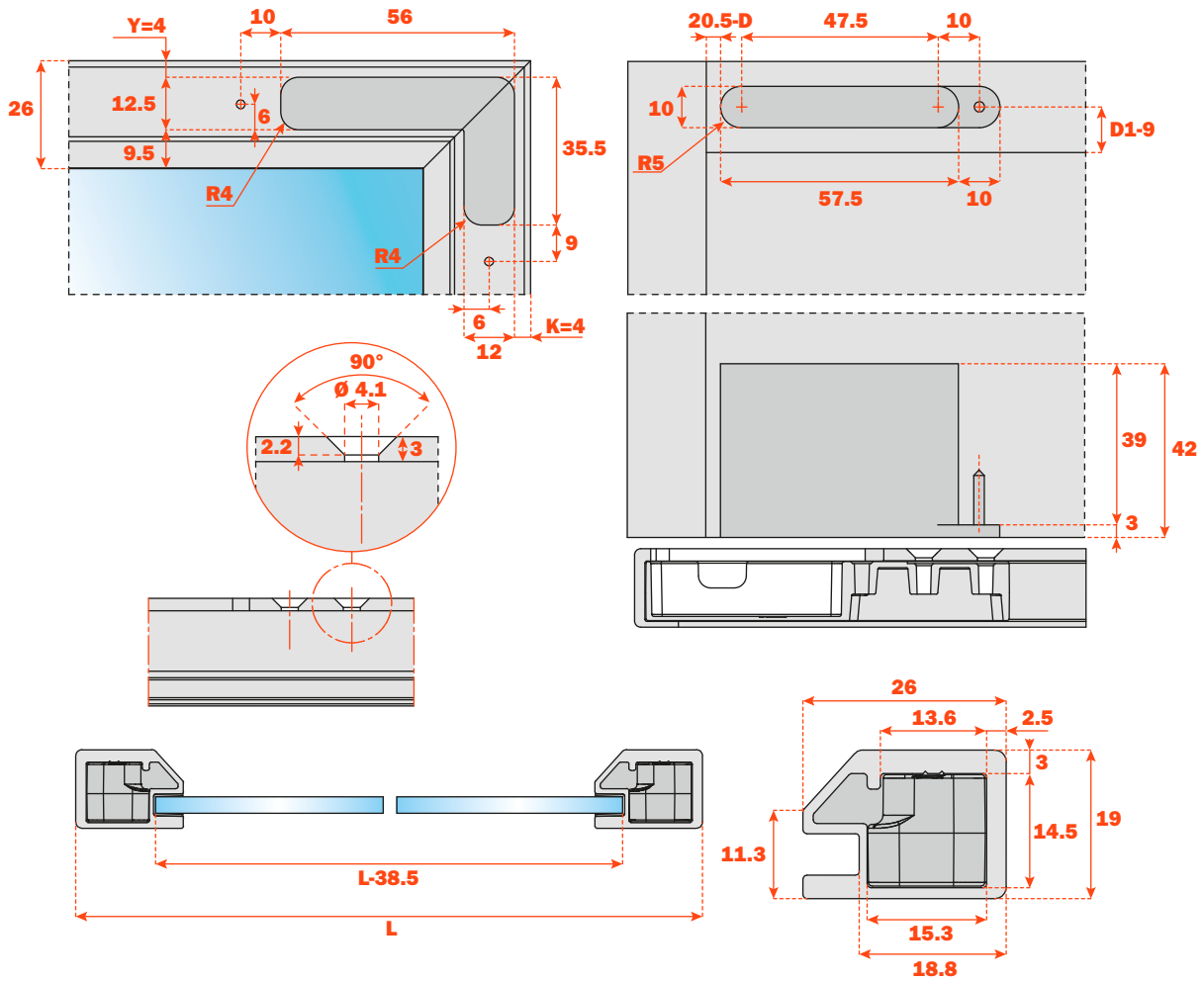
$$A = B + 4$$

$$B = A - 4$$

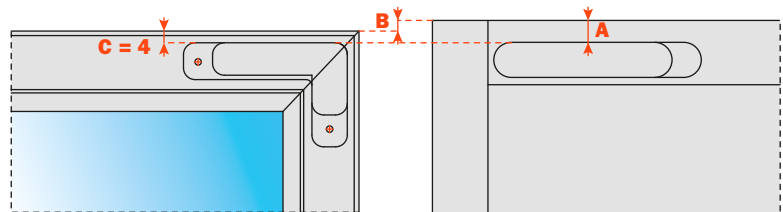


Assembly on the aluminum frame DEL9LP300_.

Dimensions of the frame 26x19 mm.



Formulas to determine the distance for the insertion of the sleeves for arm.



$$A = B + 4$$

$$B = A - 4$$